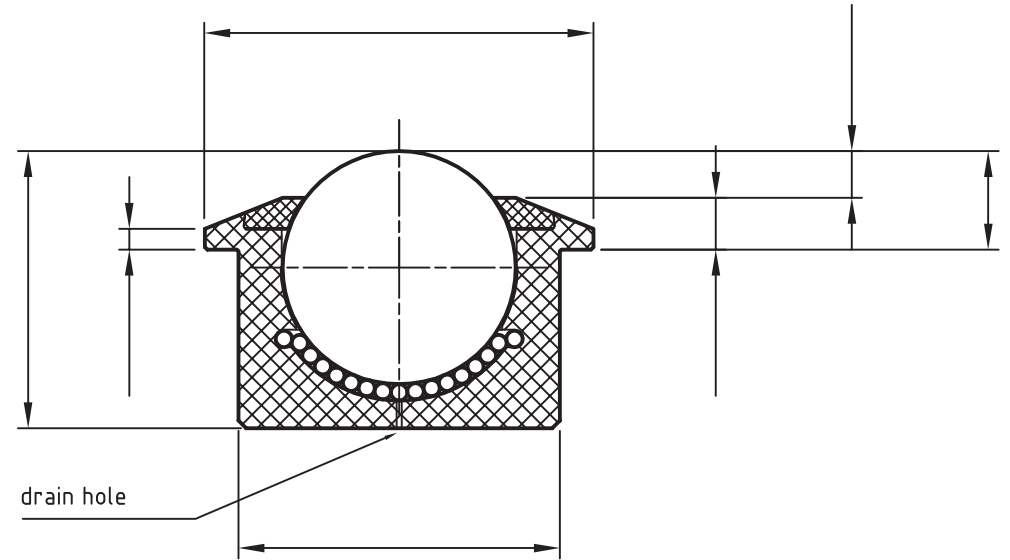


Customer-specific ball transfer unit from **SMIG®**

for
 Contact person:
 Customer:
 Phone:
 E-mail:
 Quantity: / / / / pieces



Conditions at the depository
 Speed: m/s
 Capacity radial static: N
 Operation temperature: °C
 Conductibility or insulation respectively: yes Atex no
 Weatherability: yes no
 Food conformity: yes no
 Radiation exposure/resistance: kGy
 Chemical additives :

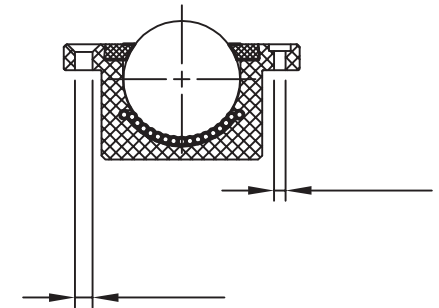
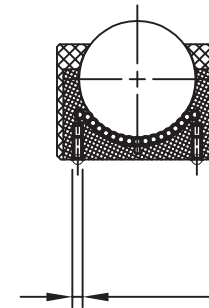
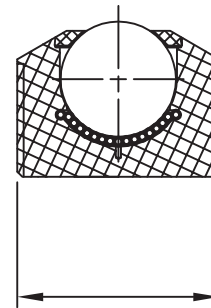
Material selection
 Housing:
 Balls:

Possible options

BTU with external thread

BTU with thread

BTU with counterbore



Schmeing GmbH & Co. KG
 46348 Raesfeld-Tel.02865/909300